

**WR6161K-84
(Single Pole) 20 Amp Relay**

**WR6166K-84
(Double Pole) 20 Amp Relay**

**WR6172K-84
(Double Pole) 20 Amp Relay
480 Volts**



General

The WR6161K-84, WR6166K-84, and WR6172K-84 20 Amp Relays are mechanically latching output devices. They receive signals from a WRT4014-8 Relay Controller and provide On/Off control of lighting and other electrical loads. WR6161K-84 and WR6166K-84 can control circuits rated up to 277 Vac at 20A. WR6172K-84 can control circuits rated up to 480 Vac at 20 amps.

Features

- Provides On/Off control of lighting and other electrical loads using mechanically latching relays.

- Rated for 100,000+ operations at full 20A load at 20 cpm (cycles per minute).
- 14,000 Amp SCCR Rating
- Rated full-life with full HID load.
- Opens the relay (load disabled) with an input of 18 to 30 Vdc (24 Vdc nominal).
- Closes the relay (load enabled) with an input of -18 to -30 Vdc (-24 Vdc nominal).
- Includes manual override switch (integral to the relay).
- Provides at-a-glance indication of On or Off relay status.
- Can be centrally located or distributed throughout the NexLight® system.
- Sends relay status to the relay controller for transmission to switch LEDs and to host PC (if provided).
- Mounts on WR9910-8 Mounting Strap; WR6161K-84 and WR6166K-84 require one space, WR6172K-84 requires two spaces.

Specifications

Models:

- WR6161K-84 (Single Pole) 20 Amp Relay.
- WR6166K-84 (Double Pole) 20 Amp Relay.
- WR6172K-84 (Double Pole) 480 Volt 20 Amp Relay.

Number of Poles:

- WR6161K-84: 1.
- WR6166K-84: 2.
- WR6172K-84: 2.

Electrical Inputs (Low Voltage):

- Voltage: ± 24 Vdc reverse polarity, Class II.
- Current: 350 mA.

Electrical Outputs (Line Voltage):

- WR6161K-84 & WR6166K-84.
 - 20A, 277 Vac; 1-1/2 HP at 220-277 Vac (general use).
 - 2400 W, 120 Vac; 1/2 HP at 120 Vac (tungsten).
- WR6172K-84.
 - 20A, 480 Vac; (general use).
 - 2400 watt, 120 Vac, (tungsten).
 - 20 amp, 480 Vac Ballast
 - ½ HP 110 – 125 Vac
 - 1-1/2 HP at 220 – 277 Vac Motor Load

Weight in lb (kg):

0.437 (0.198).

Approval Bodies:

- Underwriters Laboratories (UL) Listed.
- Canadian Standards Association (CSA) Approved.

Dimensions:

See Figure 1 and Figure 2.

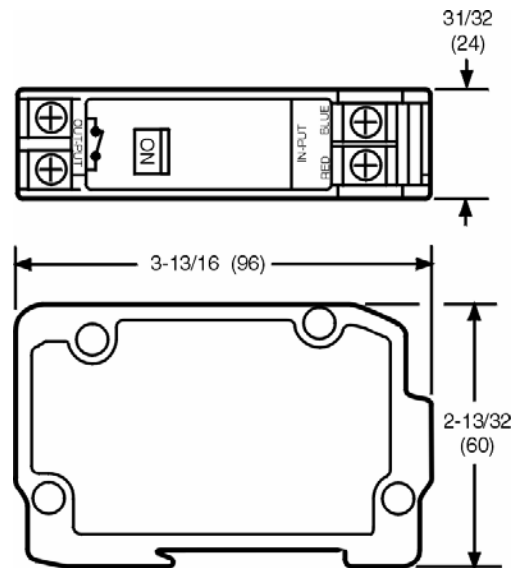


Figure 1. WR6161K-84 (single pole) and WR6166K-84 (double pole) 20 Amp Relays dimensions in inches (mm).

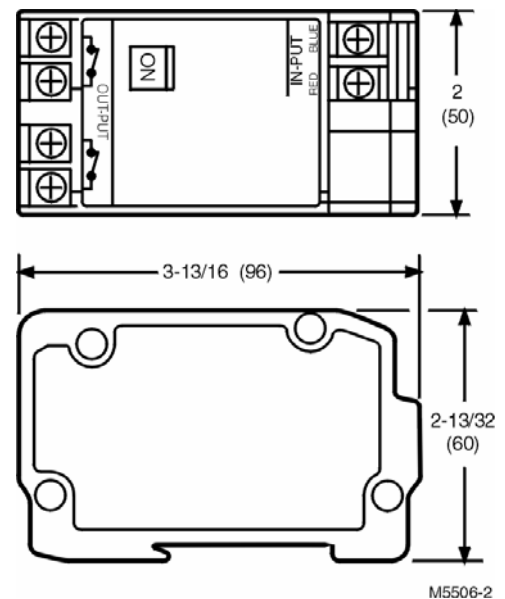


Figure 2. WR6172K-84 (double pole) 480 volt 20 Amp Relay dimensions in inches (mm).