



# CRC2124

## Contact Input Terminal Unit

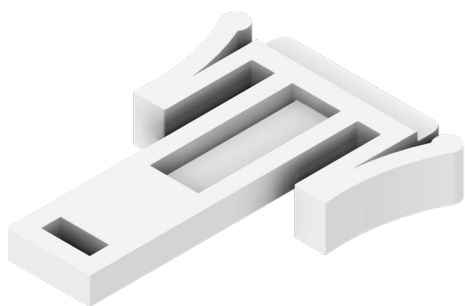
### Overview

The CRC2124 Contact Input is used to interface the 2-Wire Data Bus with third-party devices that provide dry contact closures such as photocells, sensors, switches, and BMS devices. It can utilize a momentary or maintained contact to control Individual, Group, or Scene addresses in the system.

### Accessories

#### CRC9601

DIN Rail Mounting Clip



### Features

- » Integrates third-party dry contact closure signals into the NexLight Lighting Control System
- » Actuates Individual or Group addresses on and off
- » Executes Scene addresses
- » Receives address setting via the CRC6400 Address Setting Unit

### Physical Specification

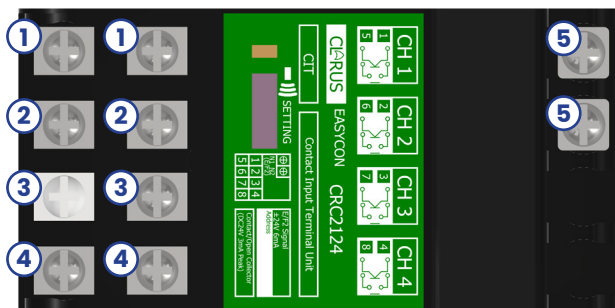
<b>Dimensions:</b>	2.35" H x 3.77" W x 1.96" L (60 mm x 96 mm x 50 mm)
<b>Mounting:</b>	CRC9000 Panel Mounting Strap (x2)
<b>Temperature Rating:</b>	14 °F to 131 °F (-10 °C to 55 °C)
<b>Weight:</b>	5.64 oz (160 g)

### Electrical (Low Voltage)

<b>Data Input:</b>	±24 VAC, Signal
<b>Current Draw:</b>	6.0 mA



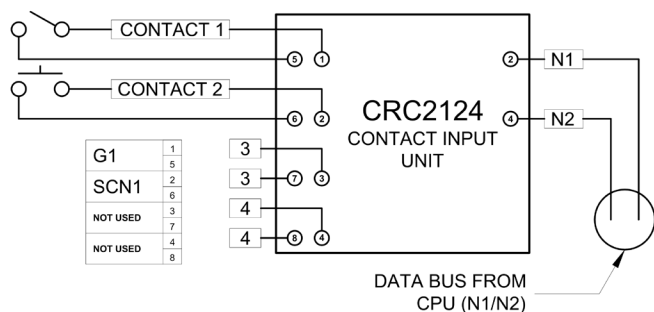
## Terminal Identification



- 1. Contact Input 1
- 2. Contact Input 2
- 3. Contact Input 3
- 4. Contact Input 4
- 5. 2-Wire Data Bus

## Wiring Diagrams

Low voltage control wiring of a CRC2124 Contact Input

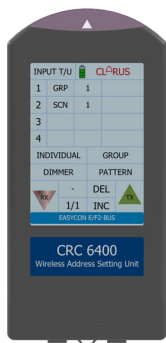


## Programming

Addressing of the CRC2124 Contact Input is conducted using the CRC6400 Address Setting Unit, a handheld IR programming tool that is commonly sold with each NexLight Lighting Control System. Individual Addresses consist of a prefix (values ranging from 0 to 63) and a suffix (values ranging from 1 to 4). Group and Scene addresses are only a number (values ranging from 1 to 127 and from 1 to 72, respectively).



CRC6400 Address Setting Unit programming a CRC2124 Contact Input.



Screen 1 - Terminals 1 thru 4