



CRC2150

Hybrid Terminal Unit

Overview

The CRC2150 Hybrid Terminal Unit (HTU) is a versatile relay module with (4) isolated hybrid relays offering single-pole functionality rated at 10 amps each. It has an integrated controller for digital addressing and is powered directly by the 2-Wire Data Bus eliminating the need for separate power sources.

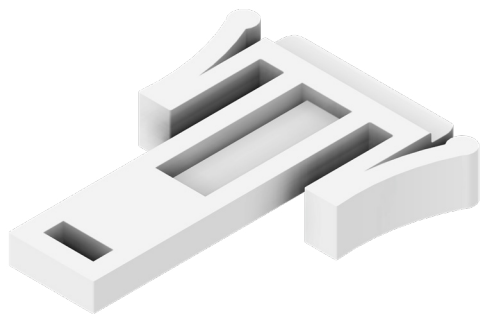
UL/cUL Certifications

General Use:	10 A @ 277 VAC
Tungsten:	10 A @ 120 VAC (1200 W) 10 A @ 240 VAC (2400 W)
Electronic Ballast:	10 A @ 277 VAC
Standard Ballast:	10 A @ 277 VAC (2400 W)

Accessories

CRC9601

DIN Rail Mounting Clip



Features

- » Can be centrally located in primary lighting control panels or distributed throughout the NexLight Lighting Control System
- » Features manual ON/OFF micro switch buttons for each relay
- » Monitors true status of relays and provides that information to the NexLight Lighting Control System
- » Receives address setting via the CRC6400 Address Setting Unit

Physical Specification

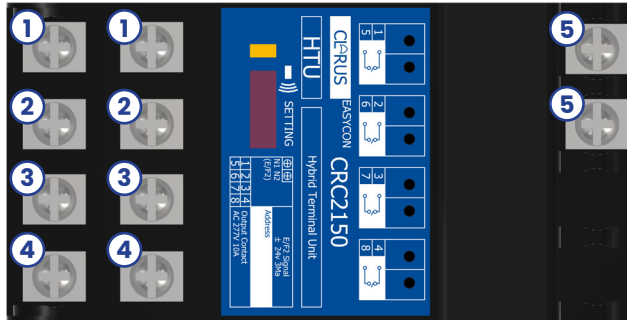
Dimensions:	1.97" H x 3.78" W x 2.36" D (50 mm x 96 mm x 60 mm)
Mounting:	CRC9000 Panel Mounting Strap (x2)
Temperature Rating:	14 °F to 113 °F (-10 °C to 45 °C)
Weight:	7.05 oz (200 g)

Electrical (Low Voltage)

Data Input:	±24 VAC, Signal
Current Draw:	4.0 mA



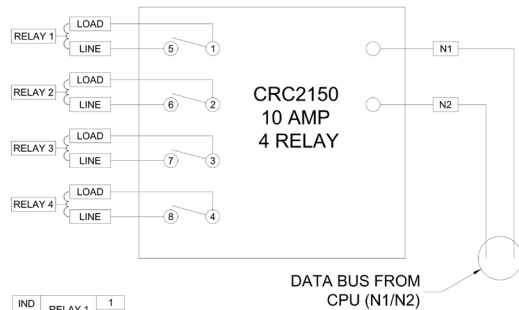
Terminal Identification



1. Relay 1
2. Relay 2
3. Relay 3
4. Relay 4
5. 2-Wire Data Bus

Wiring Diagrams

Low voltage control wiring of a CRC2150 Integrated Relay Controller



IND	RELAY 1	1
3-1	RELAY 1	5
IND	RELAY 1	2
3-2	RELAY 1	6
IND	RELAY 1	3
3-3	RELAY 1	7
IND	RELAY 1	4
3-4	RELAY 1	8

Programming

Addressing of the CRC2150 Integrated Relay Controller is conducted using the CRC6400 Address Setting Unit, a handheld IR programming tool that is commonly sold with each NexLight Lighting Control System. The CRC2150 may only accept an Individual Address type. Individual Addresses consist of a prefix (values ranging from 0 to 63) and a suffix (values ranging from 1 to 4).



CRC6400 Address Setting Unit programming a CRC2150 Integrated Relay Controller.



Screen 1 - Relays 1 thru 4