



CRC2301

Contact Input Tiny

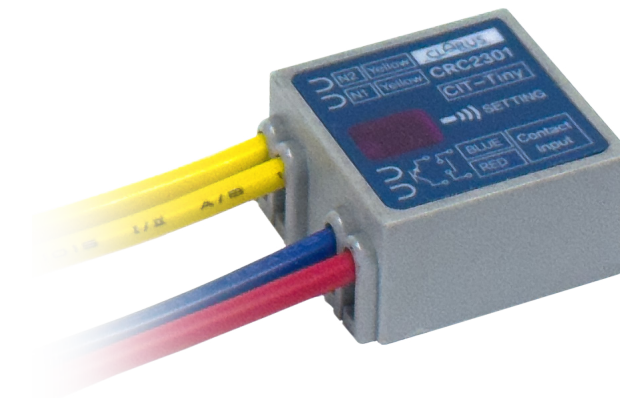
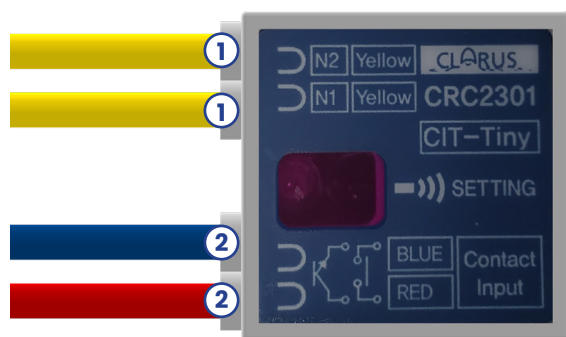
Overview

The CRC2301 Contact Input Tiny is used to integrate the NexLight Lighting Control System with third-party devices that provide dry contact closures like sensors and switches. It is able to receive a momentary or maintained contact and translate that signal to the 2-Wire Data Bus for controlling Individual, Group, or Pattern addresses. Each device can be programmed with an Individual address to enable and disable the device. The small dimensions allow for distribution near the sensors or switches throughout the building.

Physical Specification

Dimensions:	0.91" H x 0.98" W x 0.51" D (23 mm x 25 mm x 13 mm)
Temperature Rating:	14 °F to 131 °F (-10 °C to 55 °C)
Weight:	0.42 oz (12 g)

Terminal Identification



Features

- » Integrates third-party dry contact closure signals into the NexLight Lighting Control System
- » Actuates Individual or Group addresses ON and OFF
- » Executes Scene Addresses
- » Receives address setting via the CRC6400 Address Setting Unit

Electrical (Control Wiring)

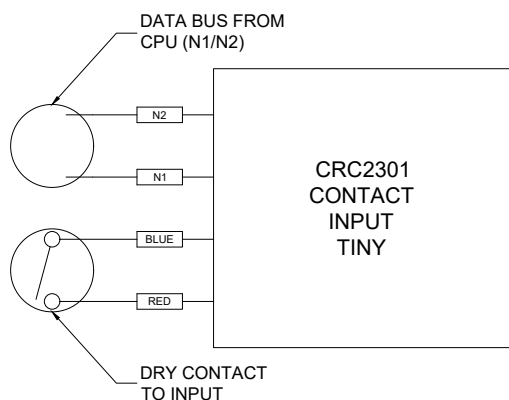
Data Input:	±24 VAC, Signal
Current Draw:	3.0 mA

1. 2-Wire Data Bus
2. Dry Contact Closure

WARNING: The contact inputs are designed to only detect contact closures and should not have any voltage applied. Connecting voltage to these inputs may result in damage to the device and void the warranty.



Wiring Diagrams



Programming

Addressing of the CRC2301 Contact Input Tiny is conducted using the CRC6400 Address Setting Unit, a handheld IR programming tool that is commonly sold with each NexLight Lighting Control System. Individual addresses consist of a prefix (values ranging from 0 to 63) and a suffix (values ranging from 1 to 4). Group and Scene addresses are only a number (values ranging from 1 to 127 and 1 to 72, respectively).

- Channel 1: Control Address** Address controlled by dry contact closure
- Channel 2: Sensor Address** Enable/Disable sensor with this address



CRC6400 Address Setting Unit programming a CRC2301 Contact Input Tiny



Screen 1 - Channels 1 and 2

Contact Input Control

Input Type	Input Status	Resulting Control		
		Individual	Group	Scene
Maintained	Closed	ON	ON	EXECUTE
	Open	OFF	OFF	-
Momentary	Closed	ON*	ON*	EXECUTE
	Open	OFF*	OFF*	-

*Function not recommended

