



CRC5302

Daylight Sensor Unit



Overview

Powered by NexLight's 2-Wire Data Bus, the CRC5302 is a ceiling mount daylight sensor that detects ambient light levels within an area and automatically adjusts lighting. After mounting and setting initial address, all features and settings can be accessed via the IPC software.

Electrical (Control Wiring)

Data Input: ±24 VAC, Signal
Current Draw: 15 mA

Physical Specification

Dimensions: 4.13" H x 4.13" W x 2.56" D (105 mm x 105 mm x 65 mm)
Mounting Screw Pattern: 0.177" x 0.591" @ 3.07" ; 0.177" x 0.256" @ 3.27"
(4.5 mm x 15.0 mm @ 78 mm ; 4.5 mm x 6.5 mm @ 83 mm)
Temperature Rating: 14 °F to 131 °F (-10 °C to 55 °C)
Weight: 3.53 oz (100 g)
Light Detecting Range: 0.75 fc to 190 fc (8 lx to 2048 lx)
Lens Tilt Angle: 12°

Features

- » Senses ambient light level of an area
- » Controls Individual Addresses, Groups, or Scenes based on user-defined thresholds
- » Adjusts 0 – 10V dimming to defined output levels or continuously maintains a desired light level
- » Once initial address is set, all other settings can be adjusted via IPC software
- » Sensor can be enabled/disabled and motion status can be monitored via IPC software

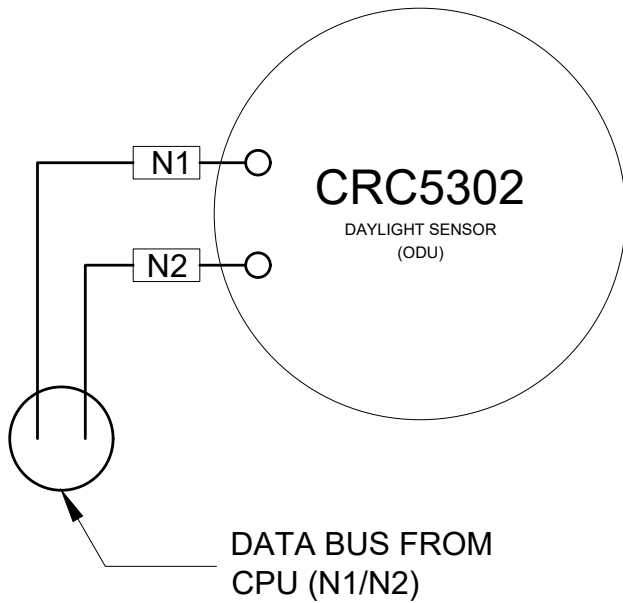


Terminal Identification



1. 2-Wire Data Bus

Wiring Diagrams



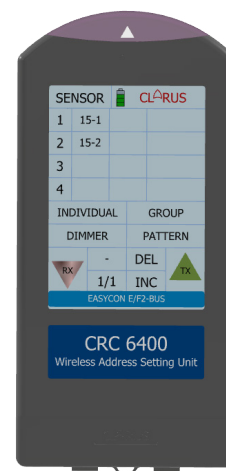
Programming

Addressing of the CRC5302 Daylight Sensor is conducted using the CRC6400 Address Setting Unit, a handheld IR programming tool that is commonly sold with each NexLight Lighting Control System. The CRC5302 Daylight Sensor may only accept an individual Address type. Individual Addresses consist of a prefix (values ranging from 0 to 63) and a suffix (values ranging from 1 to 4).

- Channel 1: Sensor Address** Enable/Disable sensor with this address
- Channel 2: Detection Level** Displays current light level
- Channel 3: *Factory Use Only** For internal NexLight use only



CRC6400 Address Setting Unit programming a CRC5302 Daylight Sensor



Screen 1 – Channels 1 through 3

