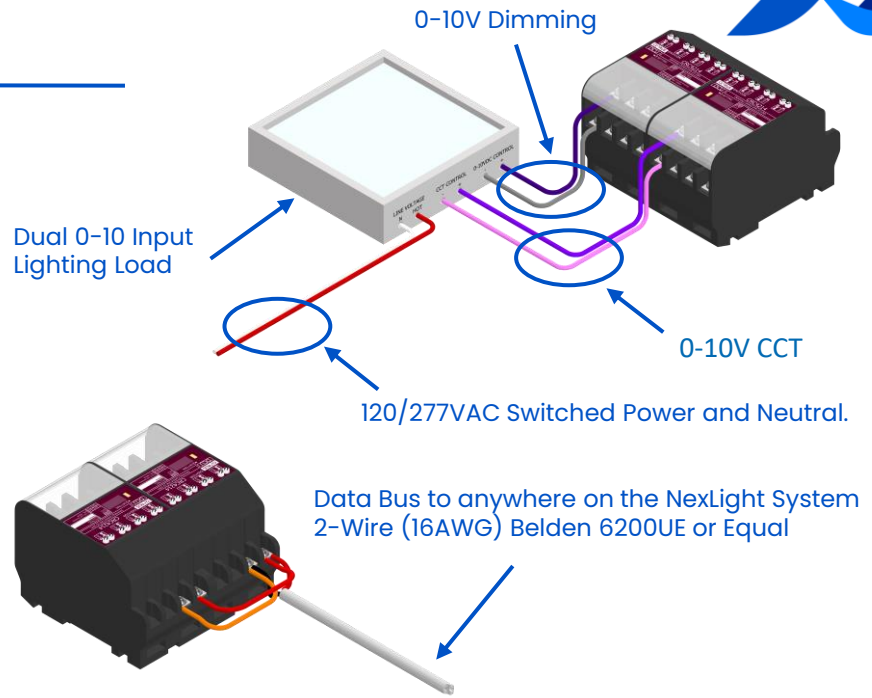
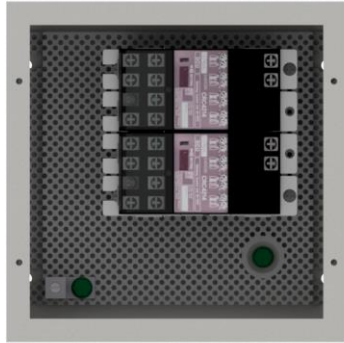


# NXL-00P5

0-10V EXPANSION PANEL



## APPLICATION OVERVIEW

The NXL-00P5 is a Dimming Expansion Accessory Panel that allows for the easy addition of 0-10V Dimming Channels to the NexLight Lighting Control System. The small enclosure can easily be mounted in the controlled space or wherever additional 0-10V channels are required. The use of 0-10V for Correlated Color Temperature (CCT) can be achieved by using the 0-10V Control provided in this solution. There is no transformer for control power, the only control power required is supplied by the NexLight 2-Wire Data Bus. The NXL-00P5 provides up to 8 Channels of 0-10V Sinking for either CCT or Dimming applications.

## APPLICATION HIGHLIGHTS

- (8) 0-10V Control Channels (100mA Sinking Current per channel).
- Use with R Series, D Series or a Custom Panel.
- Expanded Capacity of the NexLight System using a “building block” solution.
- Physical High and Low trim level potentiometers to accommodate final adjustment.

## TYPICAL DATA BUS CONNECTIONS

