



# WALL SWITCH OCCUPANCY SENSOR

LINE VOLTAGE



## OVERVIEW

The **NexLight** family of wall switch occupancy sensors provides a simple yet cost effective lighting control solution for many retrofit applications. Designed with contractors in mind, the **NexLight** wall switch sensor is significantly shallower than typical sensors, resulting in less crowded wall boxes. Additionally, versatile wiring enables usage with or without a neutral and allows reversal of line and load connections. **NexLight** products utilize the latest passive infrared technology and digital signal processing techniques to provide unmatched motion detection performance. These units are also available with an integrated microphone to provide overlapping passive acoustic occupancy detection for rooms with obstructions or where occupant motion is limited.

## BASIC OPERATION

Sensors detect movement in the infrared energy that radiates from occupants as they move within the devices field-of-view. Once occupancy is identified, the sensor's internal relay switches power on to the connected lighting. Units can also be configured to operate in Vacancy Mode (e.g., require lights be manually switched on). Once lights are on and if equipped with passive dual technology (PIR/Acoustic), the unit's microphone is enabled to further enhance detection. An internal timer is set to keep lights on during brief periods of inactivity, and is reset every time occupancy is signaled by either the passive infrared or acoustic detection technologies. Ambient daylight detection can also be enabled in equipped units so that lights are held off in rooms with sufficient light contribution from windows or skylights.

## SPECIFICATIONS

### ELECTRICAL

#### OPERATING VOLTAGE

120/277 VAC, 50/60 Hz

#### LOAD RATINGS

MAX: 800W @ 120VAC  
1200W @ 277VAC

MIN: None

MOTOR LOAD: 1/4 HP

#### LOAD TYPES

LED Driver/Lamps

CFL, Electronic/Magnetic Ballasts (Fluorescent)

Tungsten (Incandescent)

### ENVIRONMENTAL

#### OPERATING TEMP

32°F to 122°F (0°C to 50°C) - Standard  
-40° F/C (with -HE Option)

#### RELATIVE HUMIDITY

0-95% Non-Condensing,  
Indoor Use Only

### PHYSICAL\*

#### SIZE

2.74"H x 1.68"W x 1.39"D

(6.96 x 4.27 x 3.53 cm)

Not Including Mounting Strap

#### WEIGHT

4.5 oz

#### MOUNTING

Single Gang Switch Box

\*NOTE: SIZE, WEIGHT, & MOUNTING IS DOUBLE FOR 2-POLE MODEL #s



## FEATURES

### ELECTRICAL FEATURES

- Interchangeable Line & Load Wires - Impossible to Wire Backwards
- Accommodates Neutral (3-Wire) and No-Neutral (2-Wire) Installation
- Electronically Timed Switching Ensures Long Relay Life
- Compatible with LED, Fluorescent and Incandescent Lighting
- Meets NEC 404.2(c) & 404.22 Guidelines Regarding Powering Over Ground & Current Leakage

### PHYSICAL FEATURES

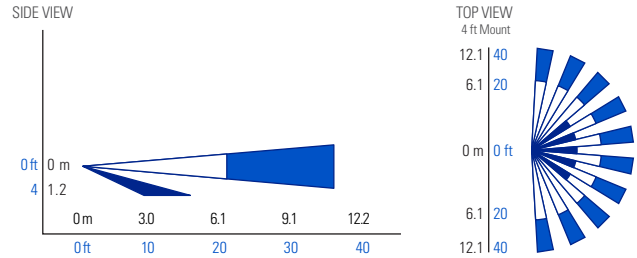
- Enclosure is 25-40% Shallower than Other Sensors (< 1" Depth into Wallbox)
- Unique Bat-Wing Shaped Lens Provides Enhanced Peripheral Detection
- Self-Grounding Mounting Strap
- Modern Look and Intuitive Easy-Tap Button
- Rugged Vandal Resistant Lens
- Settings are Adjustable Without Removing Cover Plate

### OPERATIONAL FEATURES

- Wall-To-Wall Passive Infrared Small Motion Detection
- Passive Acoustic Detection (Optional) - Prevents False Offs when No Motion is Present
- 100% Passive Detection Methods - No Interference Potential from External Devices
- Ambient Daylight Override Mode Increases Energy Savings (Optional)
- Configurable Time Delays and Operating Modes
- Blue Locator LED when Lights are Off

# COVERAGE PATTERNS

- 30" to 48" (0.76 - 1.22 m) recommended mounting height
- Wall to wall (~180 degree) coverage
- Small motion (e.g., hand movement) detection up to 20 ft (6.10 m), ~625 ft<sup>2</sup>
- Large motion (e.g., walking) detection greater than 36 ft (10.97 m), ~ 2025 ft<sup>2</sup>
- Overlapping acoustic detection of occupants over entire coverage area
- Advanced signal processing filters out nuisance noises while not effecting overall sensitivity



# APPLICATIONS

A wall switch sensor is typically used to retrofit an existing wall switch in a small room or enclosed space. A Passive Infrared (PIR) only sensor is sufficient for spaces where line of site is maintained and occupants are periodically moving (e.g., copy rooms, storage rooms). Dual technology sensors are necessary where occupants may be partially blocked from the sensor's direct view or where they may be stationary (e.g., private offices or restrooms with stalls).

- Private Restrooms
- Copy Rooms
- Restroom with Stalls
- Small Meeting Room
- Small Office
- Vestibule
- Storage Room
- Break Room

## ✓ CODE COMPLIANCE

Wall Switch sensors can be used to meet many requirements of ASHRAE 90.1, IECC, and Title 24.

### COMMON ENERGY CODE DEFINITIONS:

- Occupancy Operation: Auto On/Auto Off
- Vacancy Operation: Manual On/Auto Off
- Partial On Operation:
  - 1st Pole Auto On / 2nd Pole Manual On
  - Auto On to 50% / Manual On to 100%
  - All Poles Auto Off

**ASHRAE®**  
STANDARD 90.1

**IECC®**  
STANDARD



## MULTI-GANG SWITCH REPLACEMENT

Many residential and commercial building spaces contain multi-gang switch locations (i.e. locations on the wall that have more than one single-gang switch devices in the same wall box). The **NexLight** solution for these applications utilizes a wall switch occupancy sensor and one or more added "sidecar" wall switches that receives necessary occupancy information from the adjacent sensor. Each unit can be configured separately for Auto On or Manual On (Vacancy) operation and time delay. Most conveniently, this solution enables adding a standard multi-gang decorator switch plate in order to provide an aesthetically pleasing appearance without any awkward and conspicuous blank wall plate sections. Additional sidecar switches can also be added to create 3-pole (or greater) solutions.

### INBOARD / OUTBOARD SWITCH REPLACEMENT

Many older buildings have fluorescent light fixtures wired for inboard/outboard control by a pair of wall switches. Retrofitting these wall switches with code-compliant controls is attractively done with a **NexLight** 2-pole solution (model: #PS-SWX-102 or PS-SWX-122). These two unit kits contain an Auto On occupancy sensor and a Manual On sidecar switch that work together to meet the required partial on energy code requirements.



### BATHROOM LIGHTS & FAN

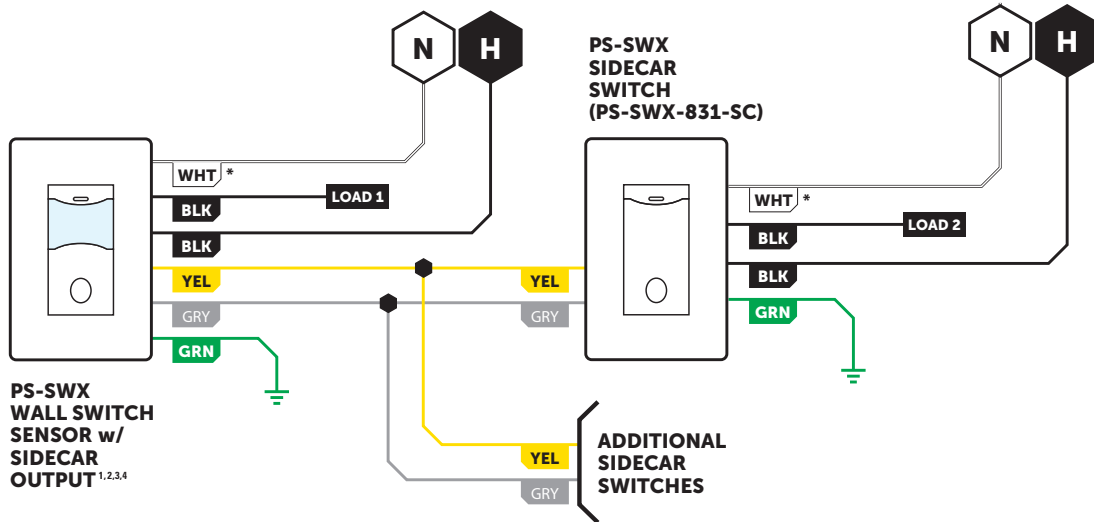
Bathrooms often have separate switches for lights and ventilation fans. In some cases two switches for lights (e.g. vanity and shower) and the fan are all contained in the same 3-gang wall box along the entry wall. Retrofitting these switches with a **NexLight** wall switch sensor and two sidecar switches is an attractive and energy efficient solution for providing occupancy control of all three loads.





**2-POLE WIRING**

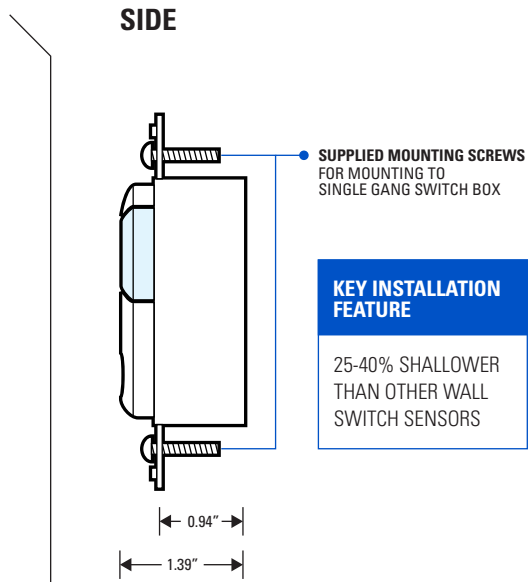
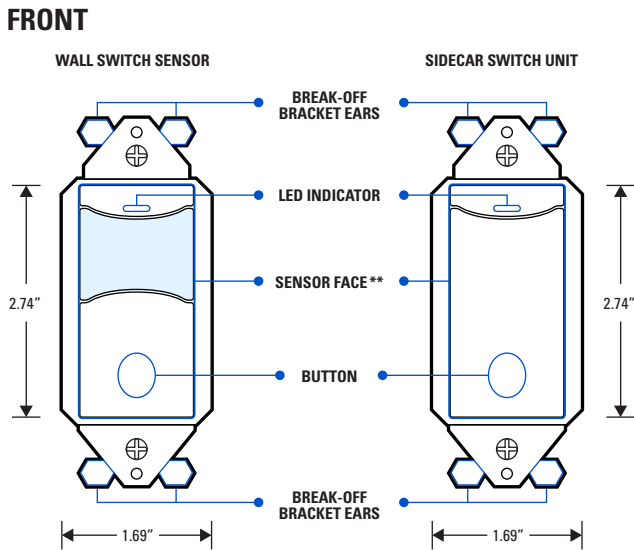
- 2-Pole solution includes a single pole occupancy sensor and a connected "sidocar" switch unit for second pole
- Requires two-gang box and decorator wall plate.
- Units can be powered from same or different circuits/voltages.



\* IF NO NEUTRAL PRESENT, REMOVE WHITE SLEEVE FROM WIRE & CONNECT REMAINING GREEN/YELLOW WIRE TO GROUND

<sup>1</sup> MODEL NUMBER PS-SWX-102 INCLUDES UNIT PS-SWX-101-SC AND PS-SWX-831-SC  
<sup>2</sup> MODEL NUMBER PS-SWX-112 INCLUDES UNIT PS-SWX-111-SC AND PS-SWX-831-SC  
<sup>3</sup> MODEL NUMBER PS-SWX-122 INCLUDES UNIT PS-SWX-121-SC AND PS-SWX-831-SC  
<sup>4</sup> MODEL NUMBER PS-SWX-132 INCLUDES UNIT PS-SWX-131-SC AND PS-SWX-831-SC

**INSTALLATION**



\*\* SENSOR FACE IS FIELD REMOVABLE IN ORDER TO CHANGE COLORS. CONTACT FACTORY FOR ADDITIONAL FACES

---

# OPERATION SETTINGS

## TIME DELAY

- Test Mode, 30 sec, 5-30 min.
- Both master wall switch sensor unit and sidecar switch unit in 2-Pole solution have independent time delay

## AMBIENT LIGHT (DAYLIGHT) DETECTION

- Sensor holds lights off when ambient light is present
- Manual threshold levels or auto-selection of threshold level
- Disabled when in Vacancy (Manual On) mode

## TURN-ON SENSITIVITY

- When enabled, this setting reduces the sensor's PIR sensitivity for initial turn-ons in order to eliminate false on caused by reflective surfaces like windows
- Unit returns to full sensitivity after initial turn-on

## LED FUNCTIONALITY

- White LED blinks upon occupancy detection
- Blue LED serves as a switch locator when lights are off
- LED functionality can be disabled

## OPERATIONAL MODES

**NexLight** wall switch sensors are intelligent devices that provide both excellent energy savings and enhanced user convenience. Users can choose from several pre-programmed operational modes that best fit their preferences and applicable energy codes. Note that both the master wall switch sensor unit and sidecar switch unit in 2-Pole solution (PS-SWX-102, PS-SWX-122) have independent operational modes.

### **Vacancy Mode**

Manual On / Automatic Off operation. Lights can also be switched off manually. This mode provides increased energy savings but requires the user to initially turn on the lights. Models PS-SWX-103 and PS-SWX-123 default to Vacancy modes. Sidecar switch units (PS-SWX-831-SC) in 2-Pole kits also default to Vacancy mode.

### **Occupancy w/ Predictive Off (Lock Down) Mode**

Automatic On and Automatic Off operation. If lights are switched off manually, the Automatic On functionality is disabled for ~15 seconds to allow the occupant time to leave the room before returning to Automatic On operation. The LED will blink white during this period. If during the last 5 seconds of this period the sensor detects that the occupant remained in the space, the unit will stay in a manual on state until the switch is pressed again. Otherwise the unit will return to Automatic On operation and the blue locator LED will turn on.

### **Occupancy w/ Exit Time Mode**

Automatic On and Automatic Off operation. If lights are switched off manually, the Automatic On functionality is disabled for a fixed 30 seconds to allow a person time to leave the room.

### **Override Off Mode**

Automatic On and Automatic Off operation until lights are switched off manually, at which point Automatic On functionality is disabled until the switch is pressed again.

### **Disabled Switch Mode**

Automatic On and Automatic Off operation only. Switch functionality to manually turn on/off lights is disabled.

### **Occupancy Mode (Presentation Operation)**

Automatic On and Automatic Off operation. If lights are switched off manually, the Automatic On functionality is disabled until the space becomes unoccupied and the sensor's time delay expires. Default for models PS-SWX-101, PS-SWX-111, PS-SWX-121, and PS-SWX-131.

### **Disable Sensor (Toggle Switch Mode)**

The unit will not automatically turn on or off connected lighting. Lighting is toggled only when button is pushed.

