

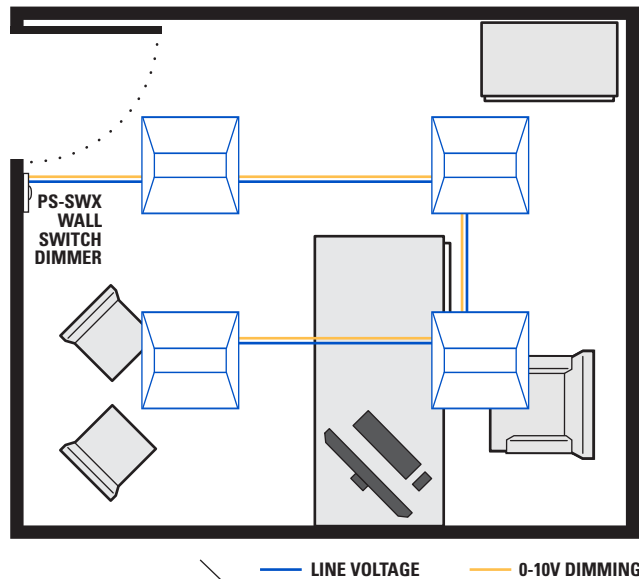


0-10V DIMMING WALL SWITCH

LINE VOLTAGE

OVERVIEW

The **NexLight** line voltage wall switch & 0-10 volt dimmer provides a stylish solution for spaces where manual dimming control is required. Designed with contractors in mind, the unit is significantly shallower than typical dimmers, resulting in less crowded wall boxes. Additionally, versatile wiring enables usage with or without a neutral connection. For dimming adjustment, intuitive raise and lower buttons are present in addition to the on/off button. Five vertically stacked LEDs are provided to indicate the current dimming level. Configurable dimming parameters include High/Low Trims, Turn on Levels, and Curve Types. This dimmer also matches the **NexLight** family of wall switch occupancy sensors and 0-10V dimming wall switch sensors.



SPECIFICATIONS

ELECTRICAL

OPERATING VOLTAGE

120-277 VAC SINGLE PHASE, 50/60 Hz

LOAD RATINGS

MAX: 800W @ 120VAC

1200W @ 277VAC

MIN: None

LOAD TYPES

LED Driver/Lamps

CFL, Electronic/Magnetic Ballasts (Fluorescent)

Tungsten (Incandescent)

DIMMING COMPATIBILITY

0-10 VDC ballasts or drivers compliant with IEC 60929 Annex E.2

DIMMING LOAD

50 mA maximum (sink only)

ENVIRONMENTAL

OPERATING TEMP

32°F to 122°F (0°C to 50°C)

RELATIVE HUMIDITY

0-95% Non-Condensing, Indoor Use Only

PHYSICAL

SIZE

2.74"H x 1.68"W x 1.39"D

(6.96 x 4.27 x 3.53 cm)

Not Including Mounting Strap

<1" Wallbox Mounting Depth

WEIGHT

4.5 oz

MOUNTING

Single Gang Switch Box



FEATURES

ELECTRICAL FEATURES

- Accommodates Neutral (3-Wire) and No-Neutral (2-Wire) Installation
- Electronically Timed Switching Ensures Long Relay Life
- Works both Standalone and with 3-Way Switches
- Meets NEC 404.2(c) & 404.22 Guidelines Regarding Powering Over Ground & Current Leakage

PHYSICAL FEATURES

- Enclosure is 25-40% Shallower than Other Dimmers (< 1" Depth into Wallbox)
- Self-Grounding Mounting Strap
- Modern Look and Intuitive Easy-Tap Buttons for On/Off, Raise, & Lower
- Settings are Adjustable Without Removing Cover Plate

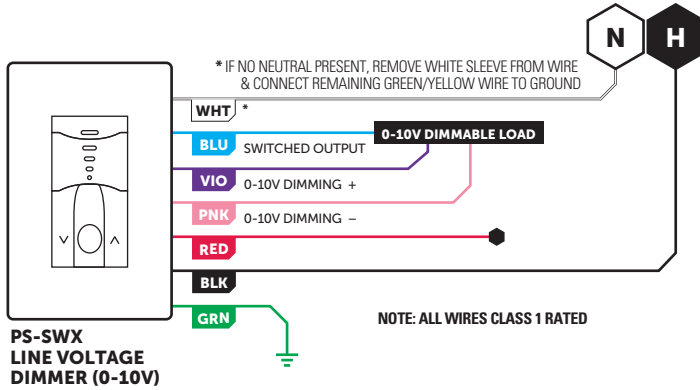
OPERATIONAL FEATURES

- 5 LED Dimming Level Indication
- Configurable Dimming Parameters including High/Low Trims, Turn on Levels, and Curve Types
- Blue Locator LED when Lights are Off

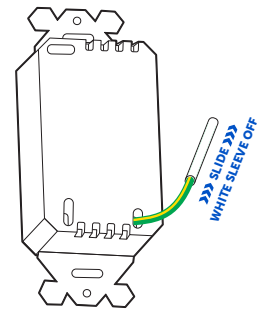
WIRING

- Unit works both in installations where neutral connection is available as well as installations where only ground connection is present.
- If no neutral is present, remove the white sleeve from the wire & connect the now green/yellow wire to ground.
- Note, either the white wire or green/yellow wire must be connected. The all green wire is just for safety.

STANDALONE WIRING

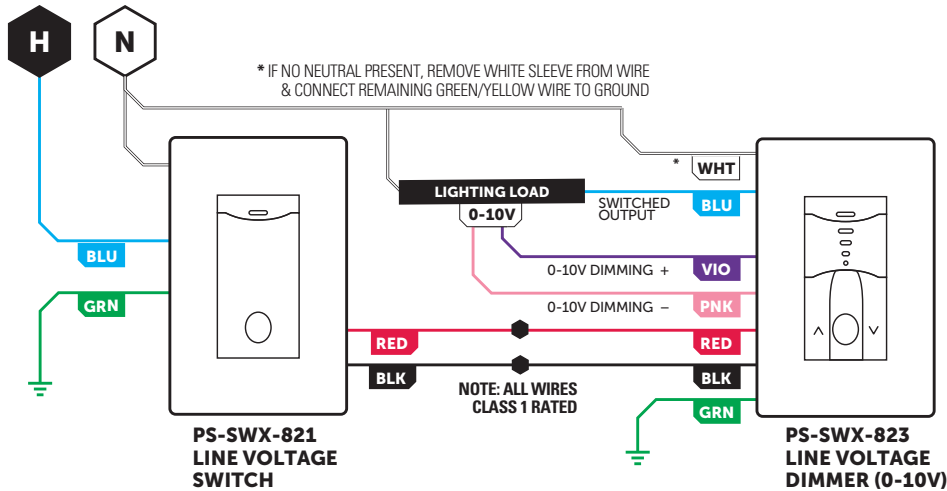


NEUTRAL TO GROUND CONVERSION DETAIL

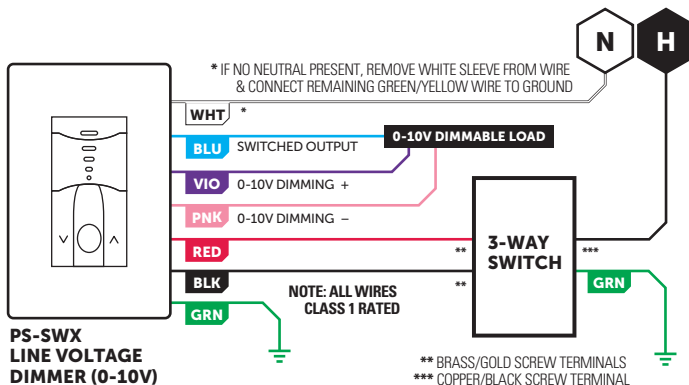


NOTE: This product is UL listed and meets NEC 404.2(c) & 404.22 guidelines regarding powering over ground & current leakage. Powering over ground is permitted for replacement / retrofit only.

3-WAY WIRING w/ UPSTREAM PS-SWX-821 SWITCH

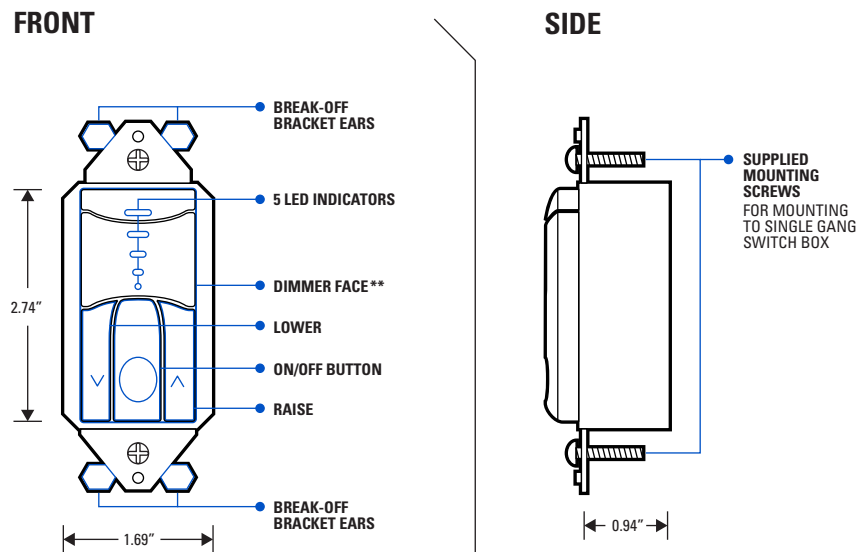


3-WAY WIRING w/ COMMON 3-WAY SWITCH



Note: if used in 3-way or 4-way application, PS-SWX-823 unit must be wired as the last device before the lighting load.

INSTALLATION



** SENSOR FACE IS FIELD REMOVABLE IN ORDER TO CHANGE COLORS. CONTACT FACTORY FOR ADDITIONAL FACES

OPERATION SETTINGS

HIGH-END & LOW-END TRIM

- High-end trim enables energy saving task tuning by setting a maximum level (100%-50%, or Custom) that which users are allowed to raise lights
- Low-end trim sets a minimum level that which users are allowed to lower lights (0%-50%, or Custom)

TURN ON/TURN OFF DIMMING OPERATION

- Lighting turns on to last user level or a preset level (100%, 50%, or custom)
- Switch can turn off lighting by switching off power (by opening relay) or dimming below electronic off level
- Lighting can also be held at low-end trim level during off state

FADE ON / FADE OFF RATES

- Adjustable time for level to ramp up to turn-on level (0.75 sec, 1.5 sec, 3 sec, 5 sec, or 15 sec)
- Adjustable time interval for level to ramp down to off (0.75 sec, 1.5 sec, 3 sec, 5 sec, or 15 sec)

DIMMING CURVE

- The dimming curve defines how dimmers adjust their voltage output in response to button commands
- Linear (default), Square Log

LED FUNCTIONALITY

- 5 White LED(s) show level when lights are on or for 2 seconds after any adjustment
- Blue LED serves as a switch locator when lights are off
- LED functionality can be disabled

ORDERING INFO

SAMPLE MODEL # PS-SWX-823-WH

PRODUCT DESCRIPTION	COLOR ¹	PACKAGE COUNT
PS-SWX-823 Line Voltage Switch & Dimmer (0-10V)	White Ivory Light Almond Gray Red Black	- WH - IV - LA - GY - RD - BK
		Single Pack 10 Pack ² Blank - J10

NOTE 1: WALLPLATE NOT INCLUDED
 NOTE 2: THE CONTRACTOR PACK OPTION (-J10)
 REDUCES JOB SITE WASTE AND INVENTORY TIME

ACCESSORY	COLOR
PS-SWX-199 Single Gang Wall Plate	White - WH Ivory - IV Light Almond - LA Gray - GY Red - RD Black - BK

